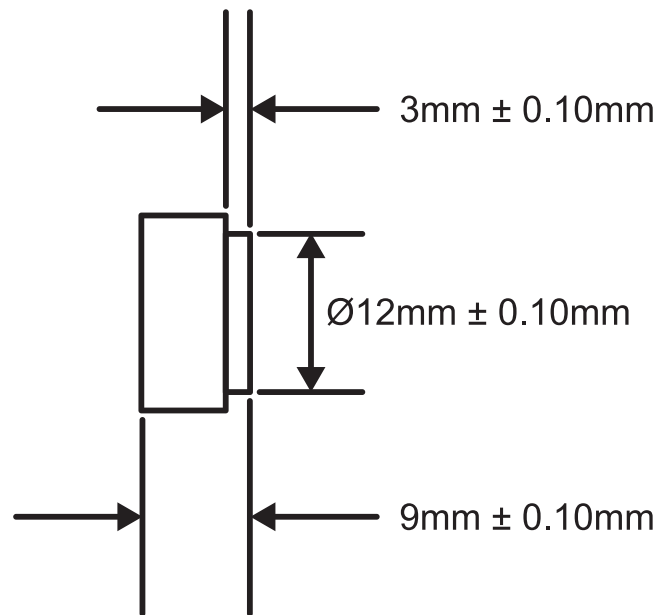
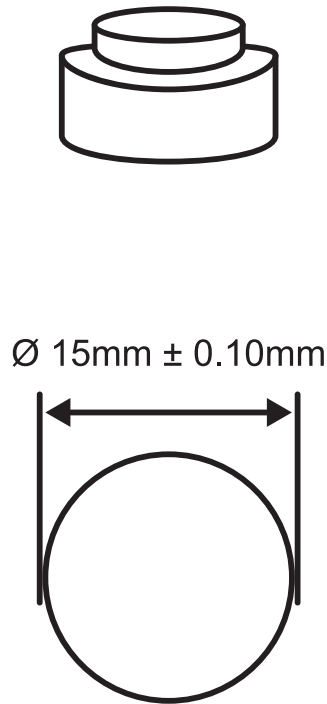


TECHNICAL DRAWING

Fused Quartz Window

Part Number: STW-1512



Specification:

Material:	Fused Quartz
Edges & Step:	Fine ground
Two Faces:	Polished 60/40
Edges Chamfered:	0.20mm @45° nom